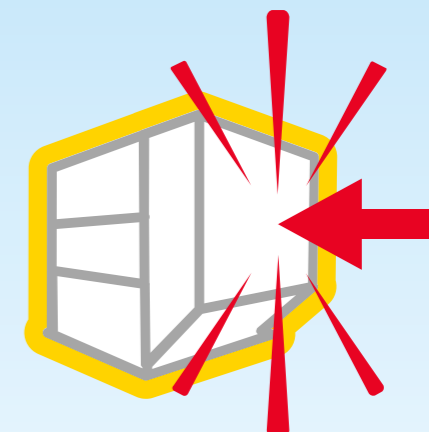


The sky's the limit with Twaron®

Teijin Aramid's innovative aramid materials are revolutionizing the air cargo industry by radically improving the performance of Unit Loading Devices (ULDs). In particular, aramid materials are used to produce MACRO-Lite panels to make ULDs lighter, stronger, and flame-retardant. As such, airlines can cut fuel costs and limit their environmental impact, while also transporting lithium batteries safely.



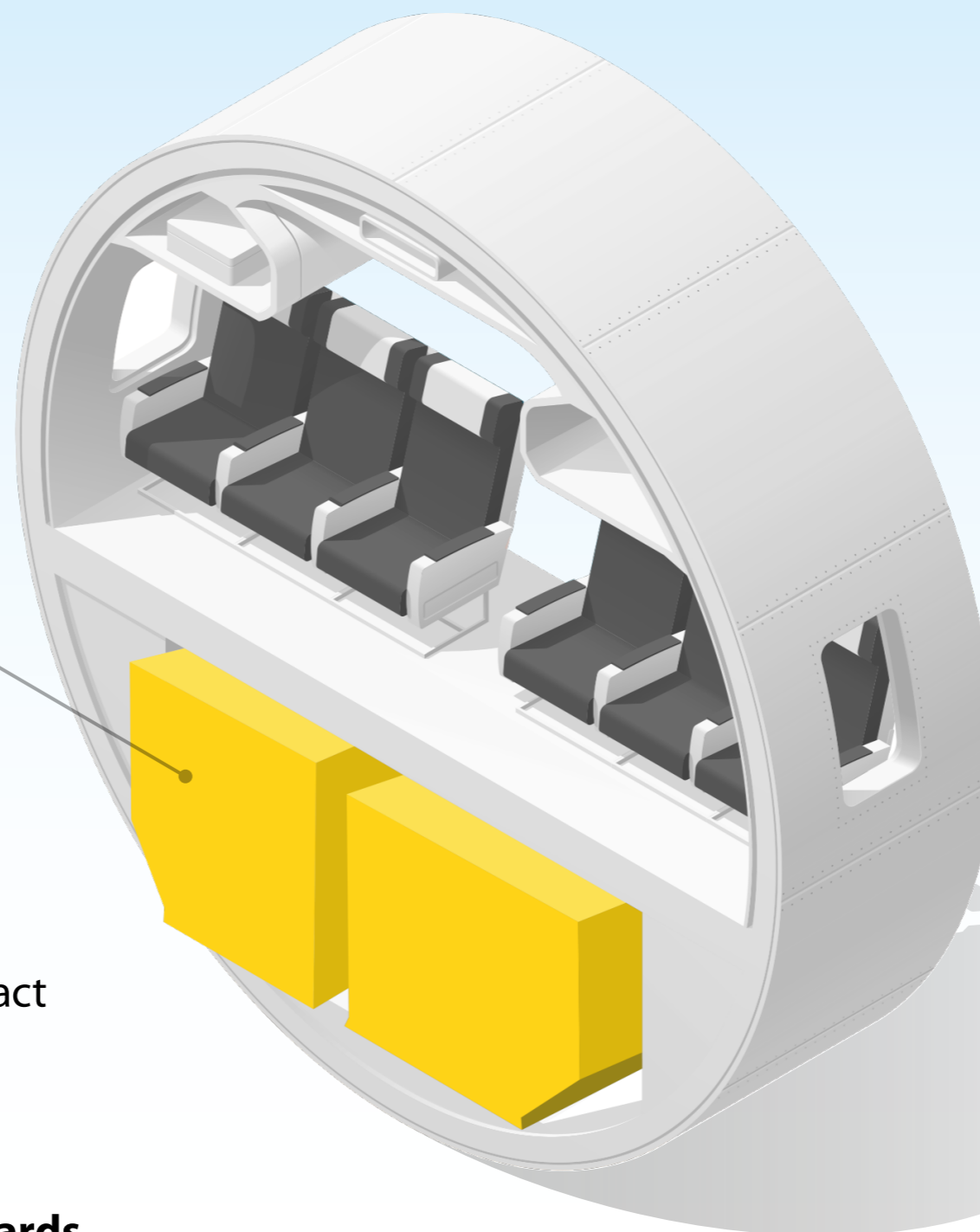
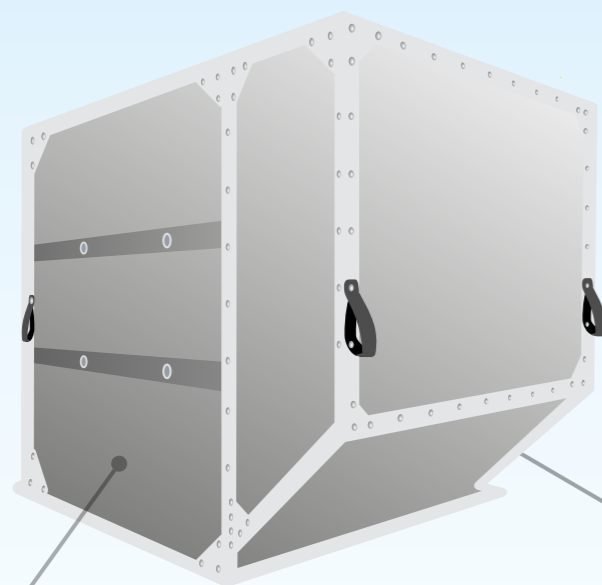
Higher impact resistance



Increased fire and heat resistance



Lower weight and environmental impact



MACRO-Lite ULDs with Twaron®

- Have higher **impact** resistance
- Have lower **weight** and **environmental** impact
- Have increased **fire** and **heat** resistance
- Have longer product **lifetimes**
- Are compliant with higher **regulatory standards**